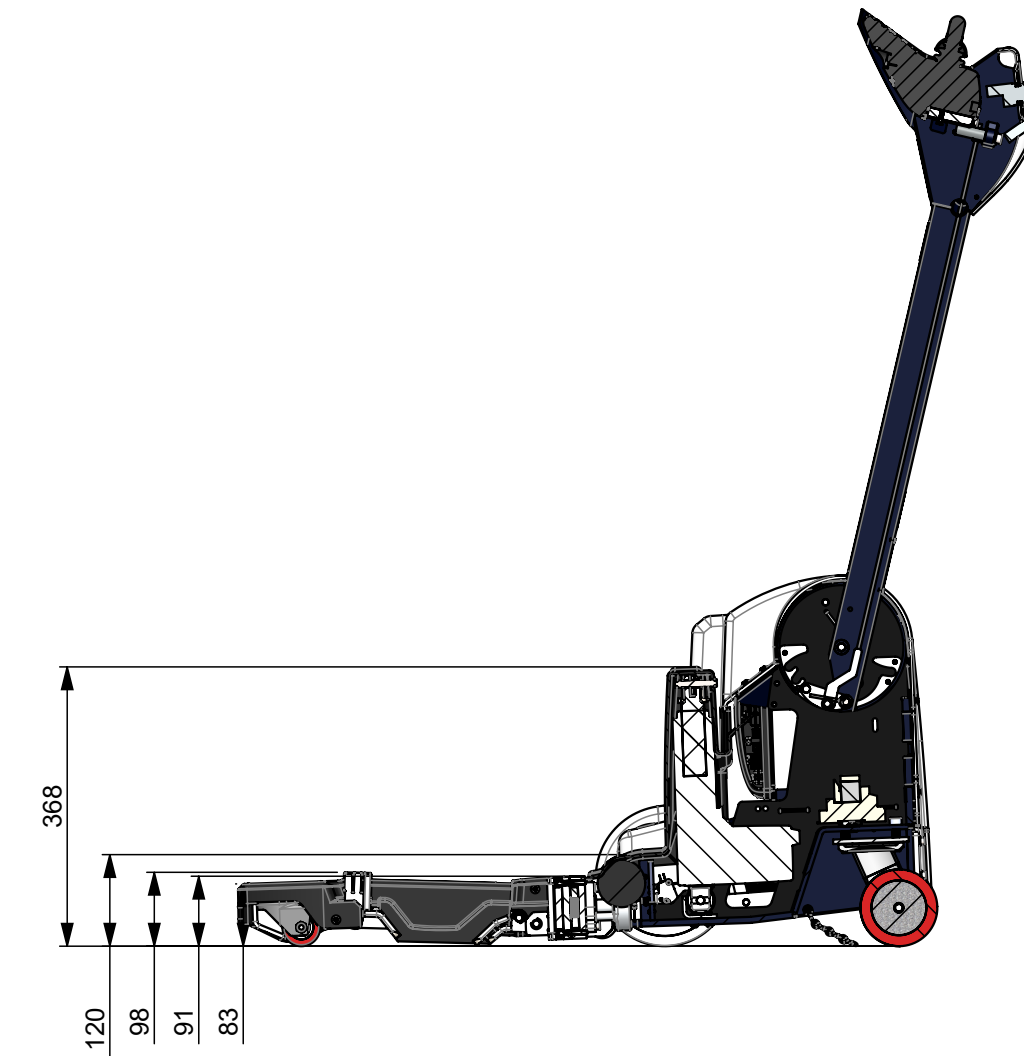
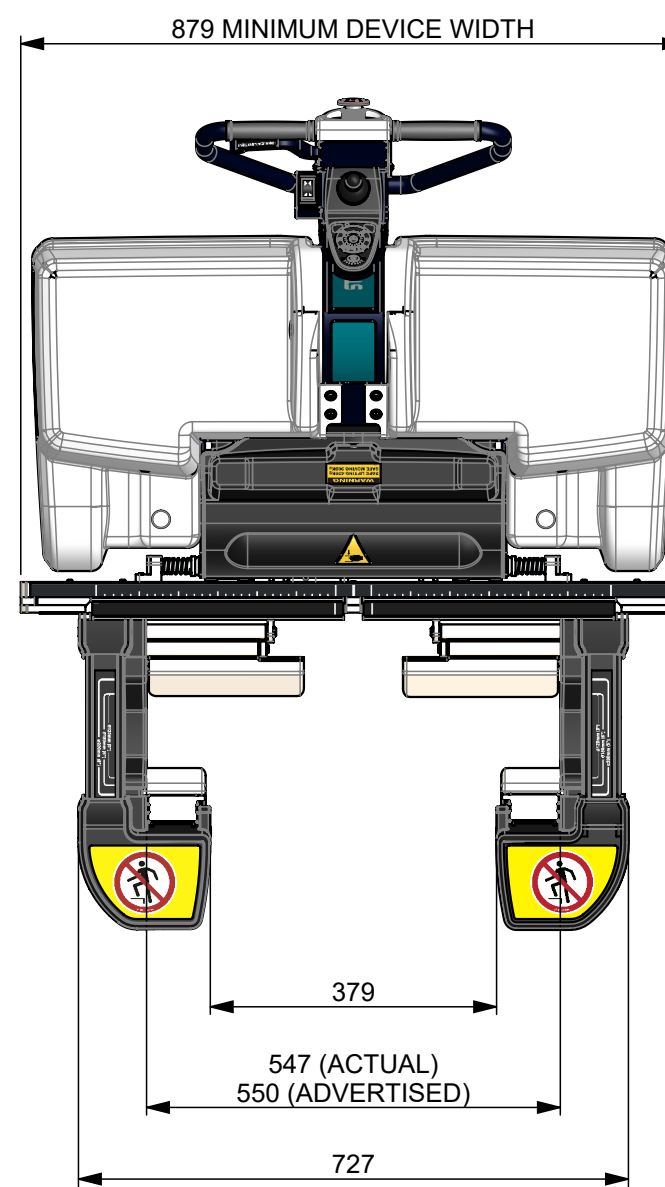
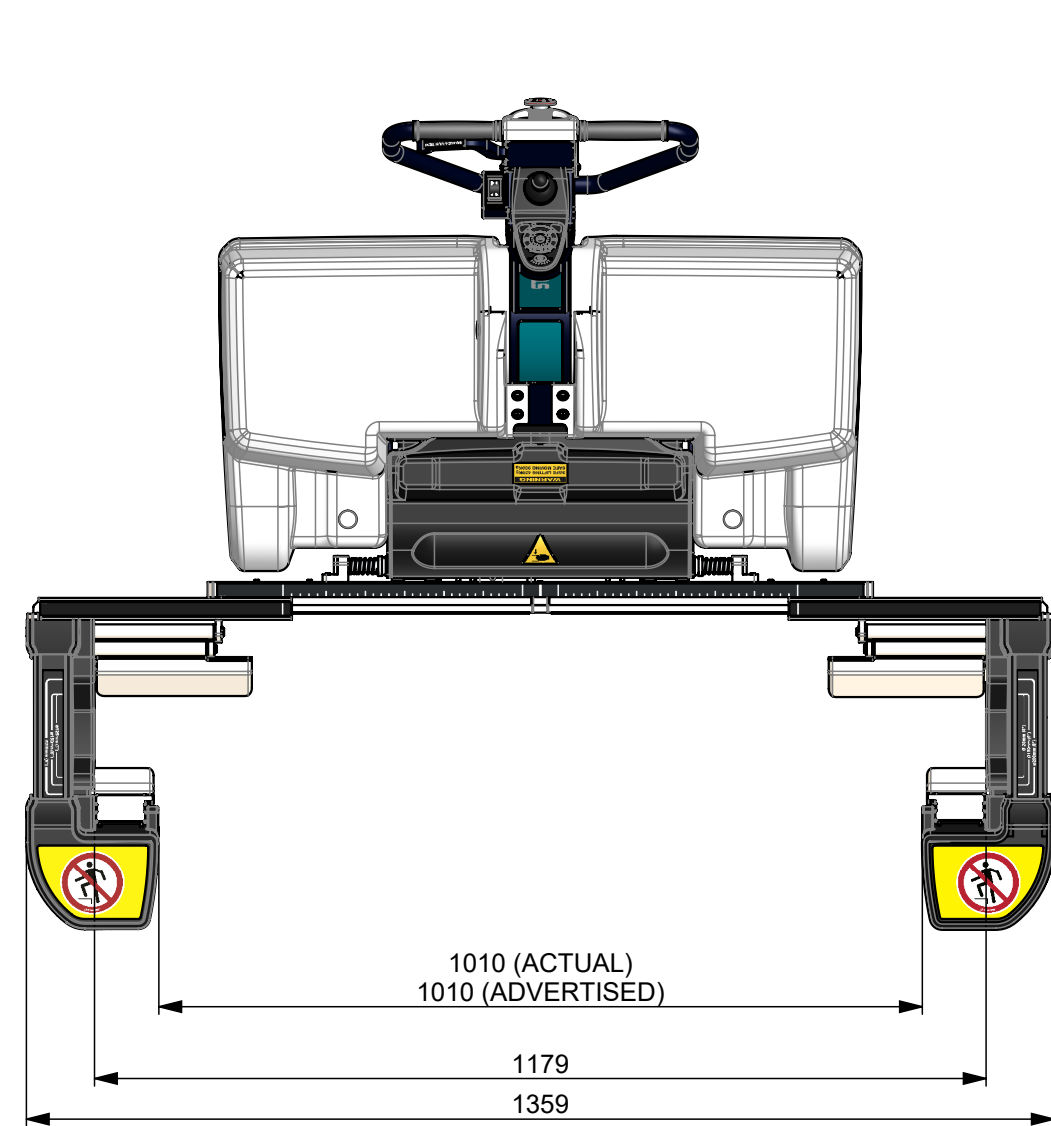
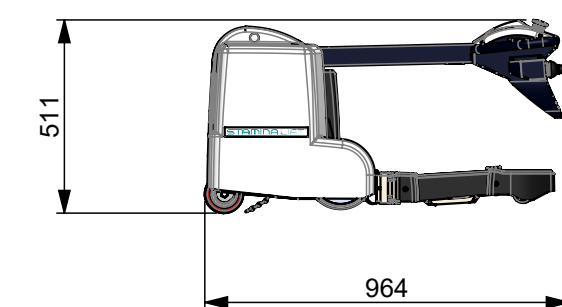
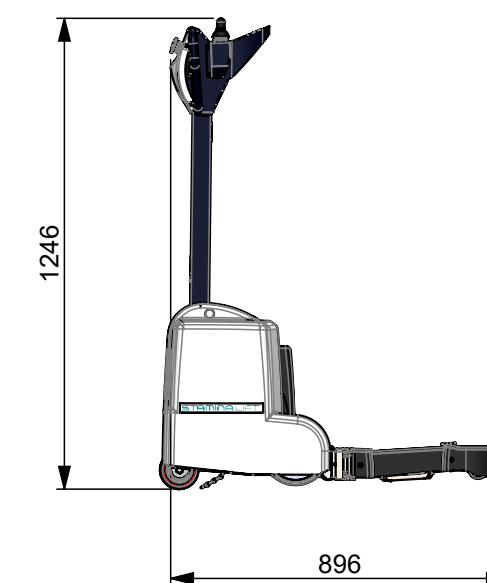
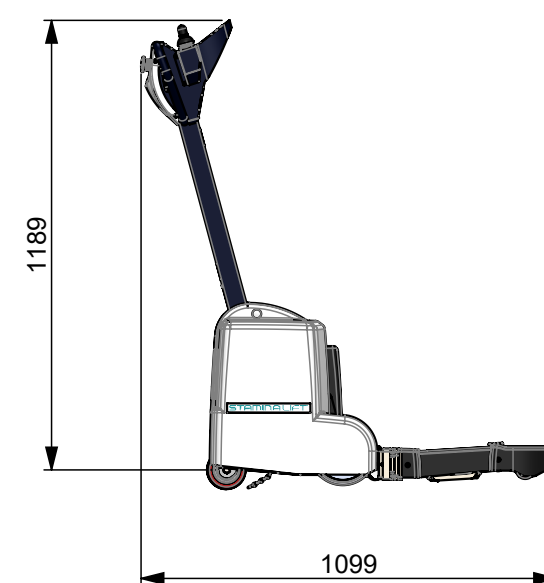
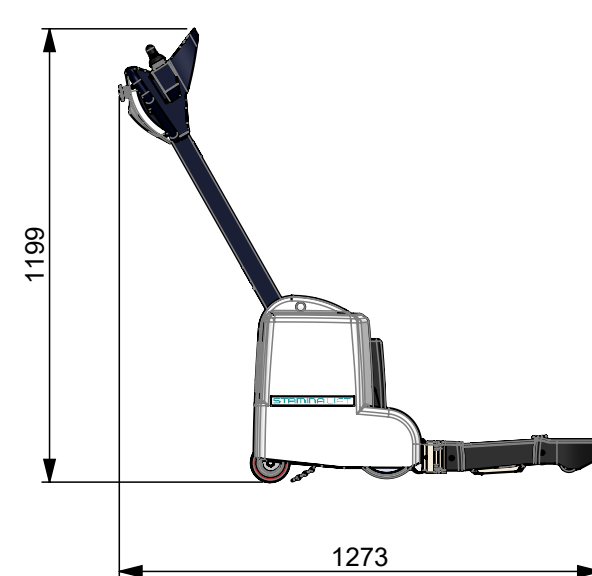
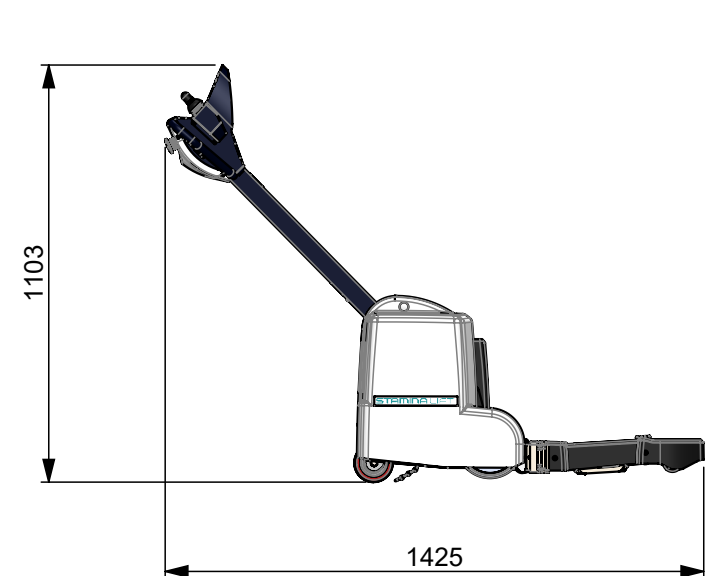


| | WITH BATTERIES (KG) | WITHOUT BATTERIES (KG) |
|-----------------------|---------------------|------------------------|
| IN USE CONFIGURATION | 236 | 170 |
| SHIPPED CONFIGURATION | 272 | 206 |



Jaw Opening
to suit wheels $\varnothing 125\text{mm}$ / $\varnothing 150\text{mm}$ / $\varnothing 200\text{mm}$

Jaw Height Clearance



Handle Positions