




TOW HITCHES BROCHURE



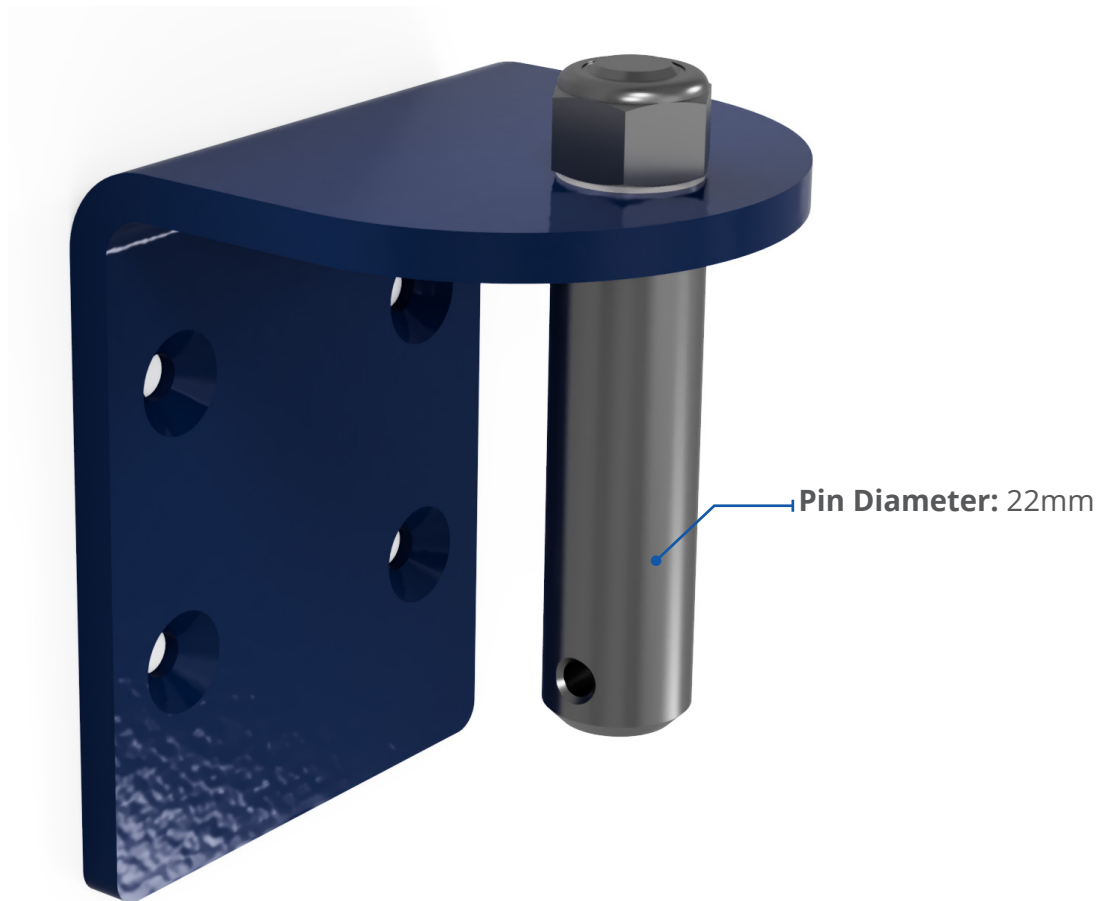
**RIHA Industries**

-  **RIHA Industries PTY LTD**
U3, 59-61 West Avenue
Edinburgh, SA 5111, Australia
-  info@rihaindustries.com
-  www.rihaindustries.com

PIN HITCH

SPECIFICATIONS

- **PART NUMBER:** D004-B0034
- **PIN DIAMETER:** 22mm (can be customised)
- **PIN LENGTH:** 85mm
- **SAFETY FEATURES:** R-Pin
- **TOWING CAPACITY:** 1500kg
- **PIN MATERIAL:** Stainless Steel
- **SUITABLE FOR:** Easi Rider "Ride on" Tug, Easi Mover Tug



APPLICATIONS

- Linen Trolleys
- Hospital Meal Trolleys
- Hinged Tow Bar Trolleys
- 660L & 1100L Wheelie Bins
- Store Trolleys

CONFIGURATIONS EASI RIDER RIDE ON TUG



Pin Pointing Down

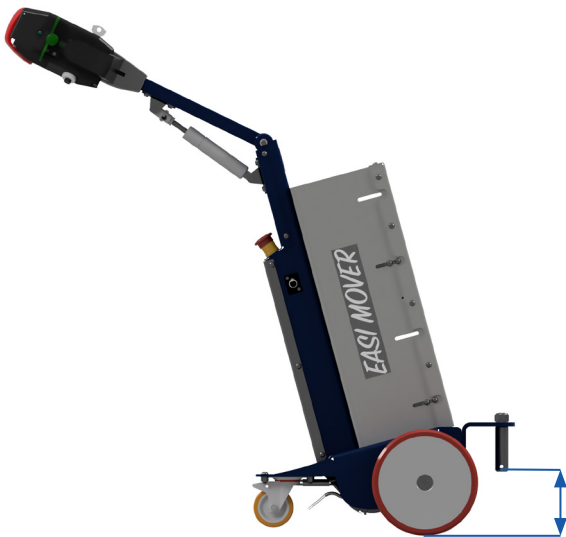
Dimension from Ground to Pin: 100mm



Pin Pointing Up

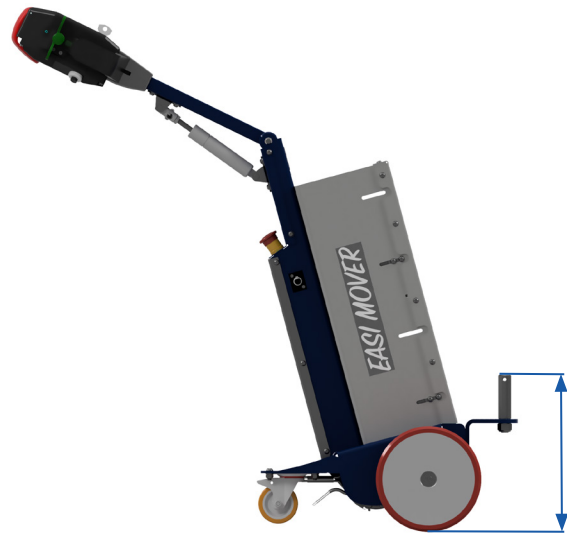
Dimension from Ground to Pin: 275mm

CONFIGURATIONS EASI MOVER TUG



Pin Pointing Down

Dimension from Ground to Pin: 95mm - 125mm



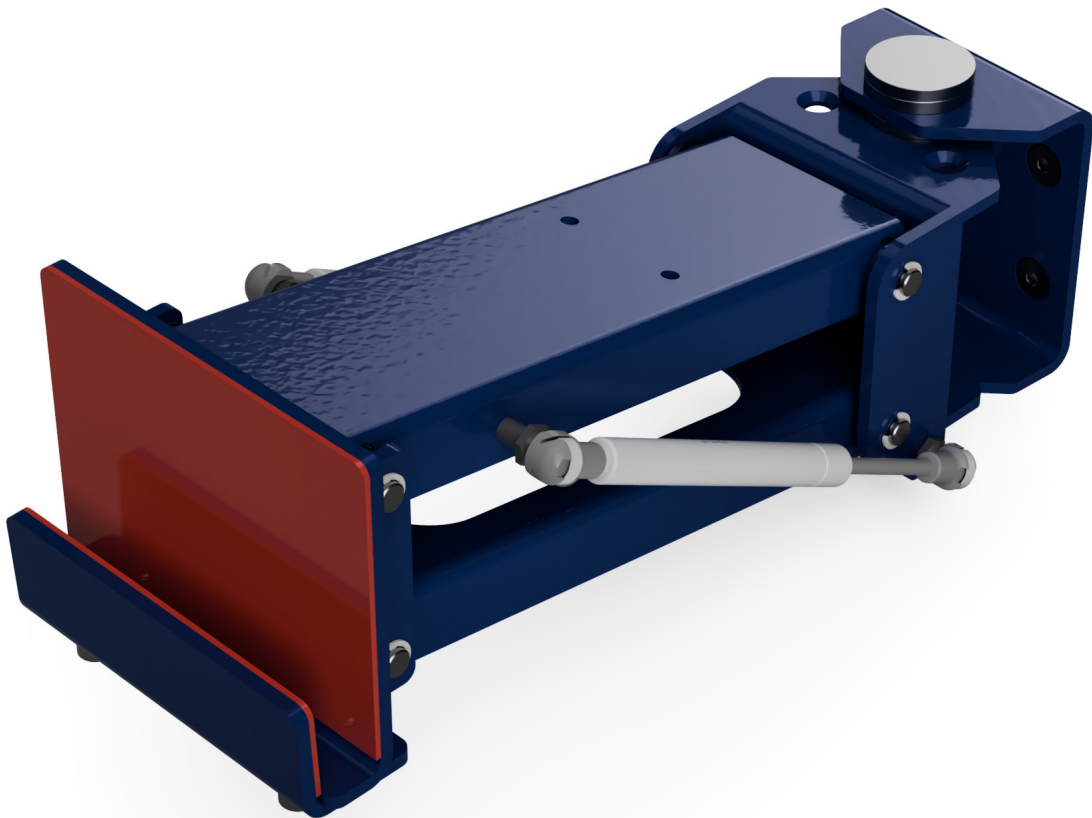
Pin Pointing Up

Dimension from Ground to Pin: 275mm - 300mm

ADJUSTABLE HITCHES

SPECIFICATIONS

- **PART NUMBER:** D004-B0035 (55° rotation to each side)
D004-B0054 (75° rotation to each side)
- **JAW OPENING:** 20mm - 40mm (can be customised)
- **JAW WIDTH:** 140mm
- **MAX ATTACHABLE HEIGHT:** 330mm of Ground
- **TOWING CAPACITY:** 1500kg
- **JAW MATERIAL:** Steel, covered with a Polyurethane Layer
- **SUITABLE FOR:** Easi Rider "Ride on" Tug,
Easi Mover Tug



APPLICATIONS

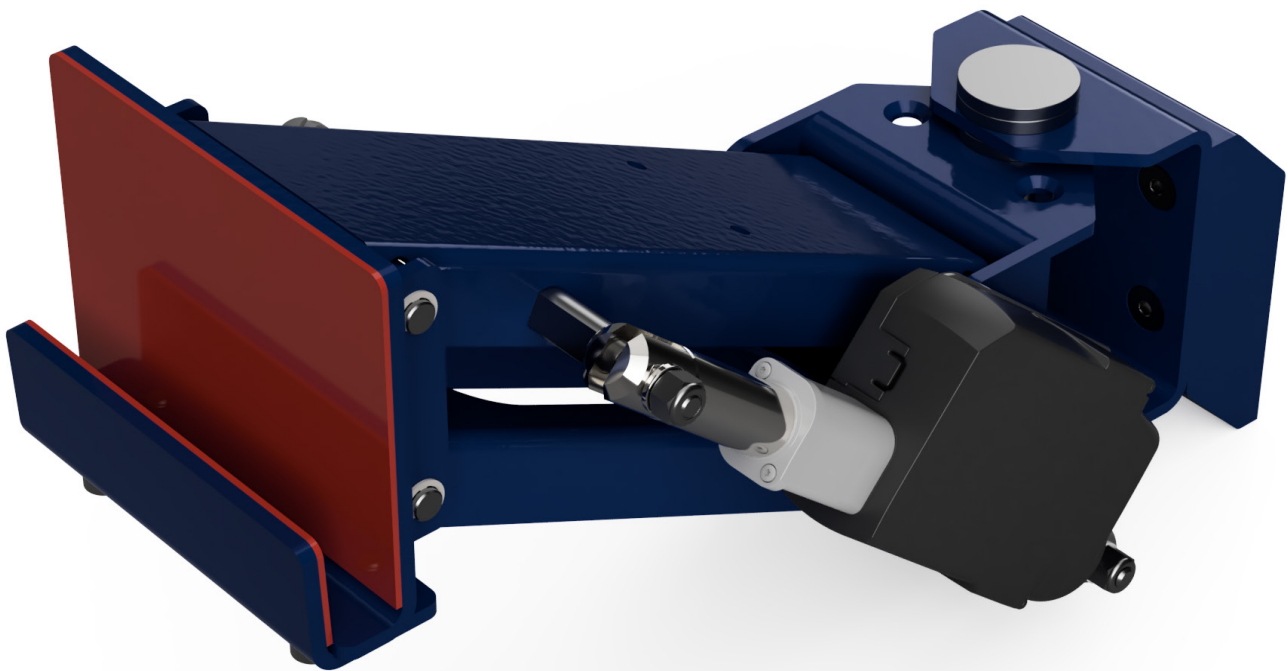
Designed for trolleys with a round or a square tube frame with dimensions from 20mm to 40mm. This hitch is height adjustable by foot, from the ground up to 330mm, it enables vertical movement as well as horizontal movement. Works great on:

- **Linen Trolleys**
- **Hospital Meal Trolleys**
- **Store & Workshop Trolleys**

ELECTRIC ADJUSTABLE HITCHES

SPECIFICATIONS

- **PART NUMBER:** D004-B0058 (55° rotation to each side)
Wired into machine, operated by Rocker Switch
- **JAW OPENING:** 20mm - 40mm (can be customised)
- **JAW WIDTH:** 140mm
- **MAX ATTACHABLE HEIGHT:** 330mm of Ground
- **TOWING CAPACITY:** 1500kg
- **JAW MATERIAL:** Steel, covered with a Polyurethane Layer
- **SUITABLE FOR:** Easi Mover Tug

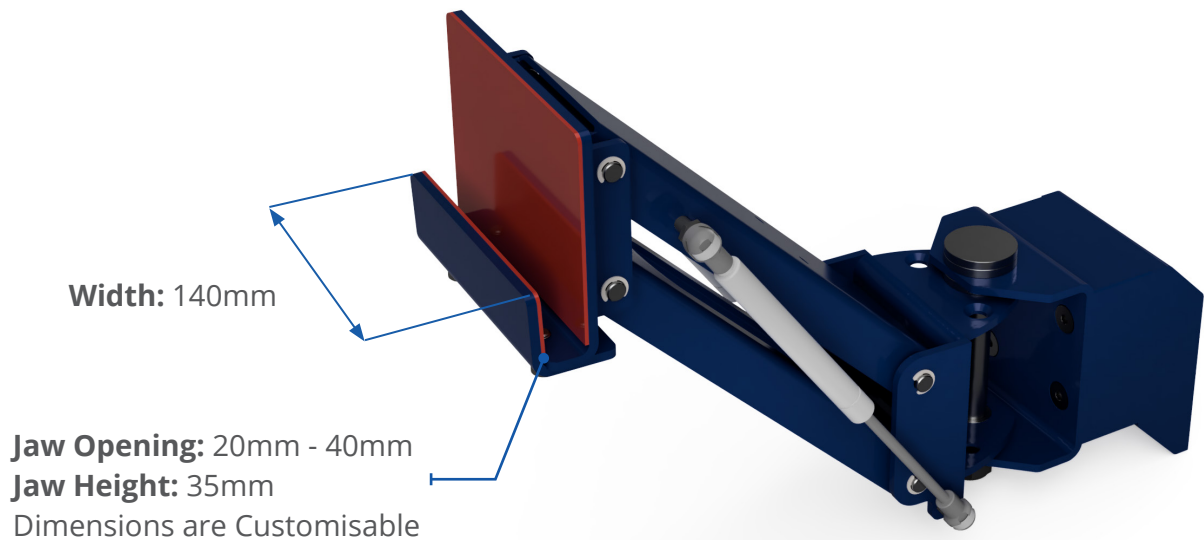
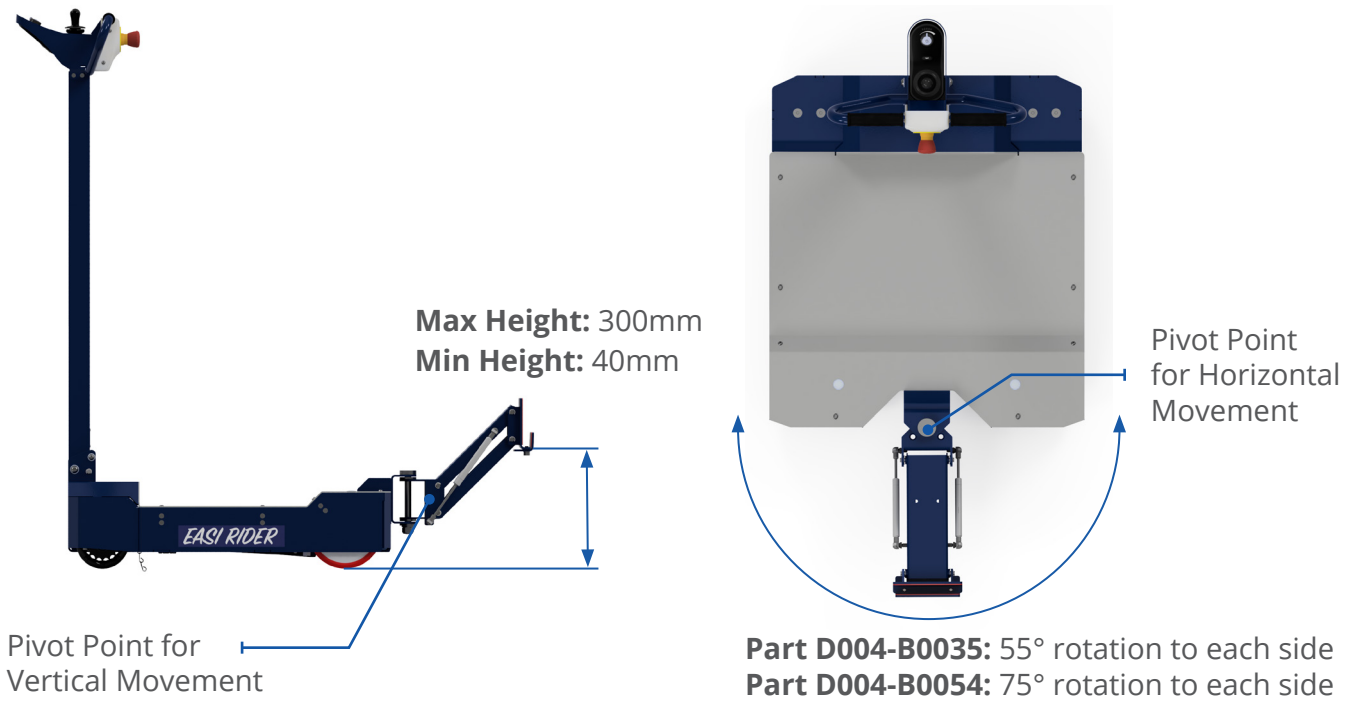


APPLICATIONS

Designed for trolleys with a round or a square tube frame with dimensions from 20mm to 40mm. This hitch is height adjustable by the push of a button, from the ground up to 330mm, it enables vertical movement as well as horizontal movement. Works great on:

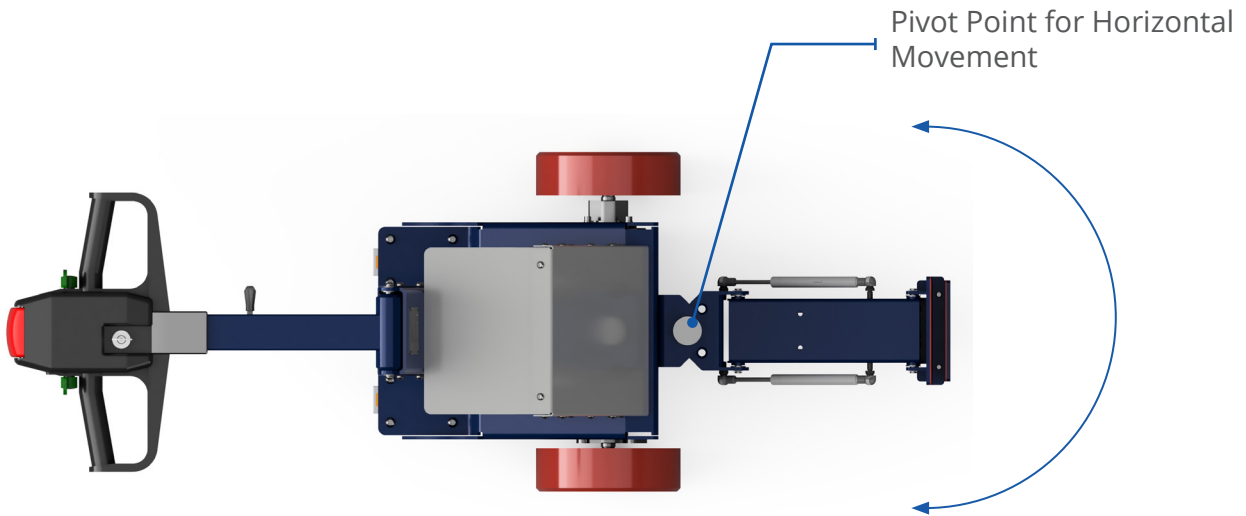
- **Linen Trolleys**
- **Hospital Meal Trolleys**
- **Store & Workshop Trolleys**

CONFIGURATIONS EASI RIDER RIDE ON TUG



Note: For Part D004-B0054 - 75° rotation to each side, a 40mm Spacer will be fitted between Easi Rider Tug and Hitch.

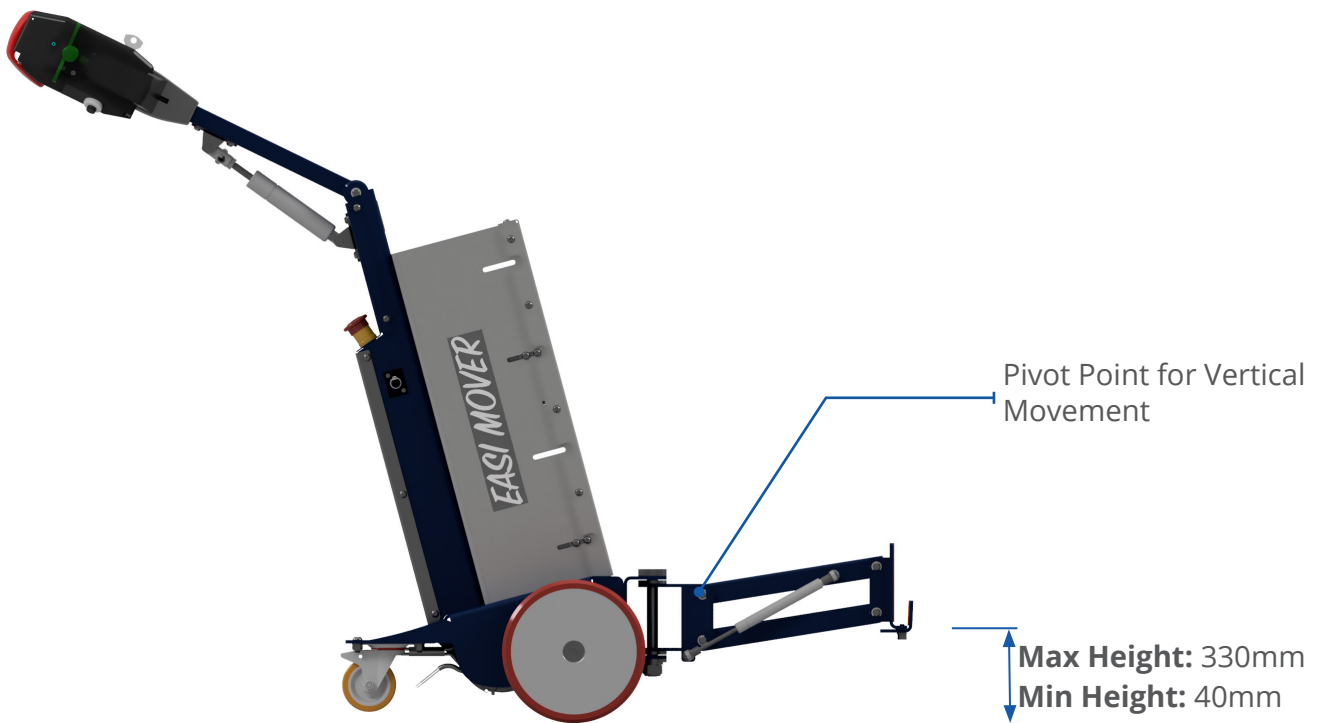
CONFIGURATIONS EASI MOVER TUG



Part D004-B0035: 55° rotation to each side

Part D004-B0058 (Electric Hitch): 55° rotation to each side

Part D004-B0054: 75° rotation to each side





- ▶ U3, 59-61 West Avenue
Edinburgh, SA 5111, Australia
- ▶ ABN: 30 643 058 986
- ▶ E: info@rihaindustries.com
- ▶ W: www.rihaindustries.com

